



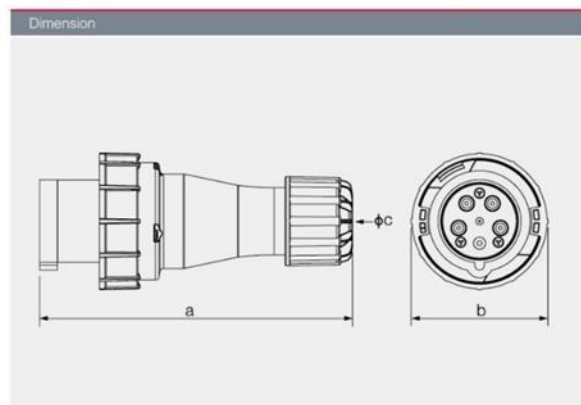
Product Code

VP30060



125A 3P +E Industrial Plug IP67

| |
|---|
| ★ Rated current: 125A |
| ★ Rated voltage: 380-415V |
| ★ No. of poles: 3P+E |
| ★ Protection degree: IP67 |
| ★ Housing material: Flame Retardant PA6 RoHS Reach Contact: nickel-plated brass RoHS Reach |
| ★ Standards: IEC60309-1, IEC60309-2 |
| ★ Certificates: S,CB,CE,TUV,ISO9001:2008,RoHS,REACH |



| Current | 63A | | | 125A | | |
|------------------------------|-------|-------|-------|-------|-----|-----|
| Pole | 3 | 4 | 5 | 3 | 4 | 5 |
| a | 260 | 260 | 260 | 301 | 301 | 301 |
| b | 113.5 | 113.5 | 113.5 | 126 | 126 | 126 |
| c | 32 | 32 | 32 | 45 | 45 | 45 |
| Cable size(mm ²) | 6-16 | | | 16-50 | | |

