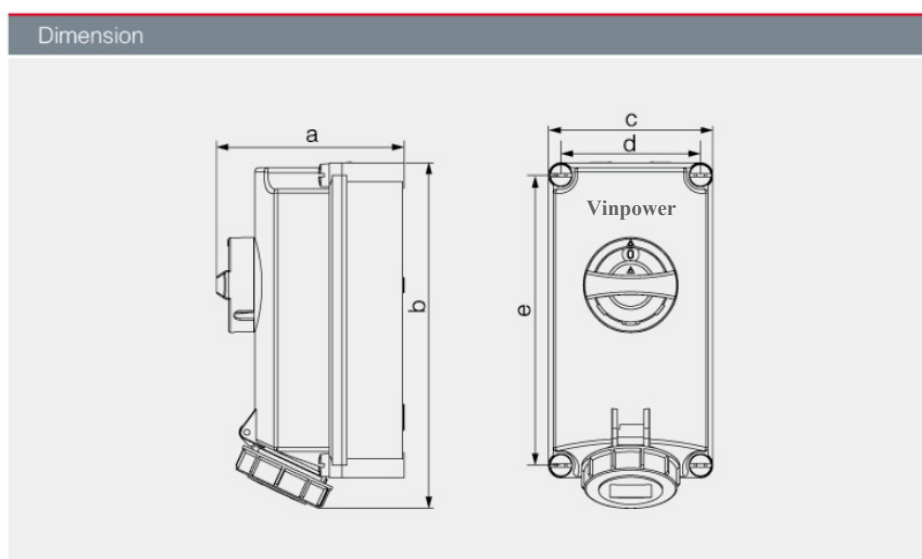




- ★ Trade Mark: **VINPOWER**
- ★ Product Code: **VP36201**
- ★ Rated current: **16A**
- ★ Rated voltage: **AC 110V**
- ★ No. of poles: **3P**
- ★ Earth contact position: **4H**
- ★ Color: **Blue**
- ★ Protection degree: **IP67 (waterproof)(watertight)**
- ★ Housing material: **Flame Retardant PA6 RoHS Reach**
- ★ Contact: **nickel-plated brass RoHS Reach**
- ★ Operation Temperature: **-25°C~+40°C**
- ★ Certificates: **S,CB,CE,TUV,ISO9001:2008,RoHS,REACH**
- ★ Standards: **IEC/EN60309-4, IEC/EN60309-1,IEC/EN60309-2**



Current	16A			32A		
Pole	3	4	5	3	4	5
a	135.8	135.8	135.8	142.5	142.5	147
b	248	248	248	256.5	256.5	256.5
c	119	119	119	119	119	119
d	101	101	101	101	101	101
e	208	208	208	208	208	208
Cable size(mm ²)	1.5~4			2.5~10		

- > RAL 7035 grey, housing made of insulating material;
- > Flame and fire resistance, the base overcome the glow wire test at 850 centigrade;
- > Mechanical interlock enabling the switch to be operated only when it's plug-in, the plug can only be pulled out when the switch is on "O";
- > Switch with handle which can be padlocked from outside in position "O" and "I";
- > Switch is in compliance with IEC 60947-3, usable AC 21,AC 22, AC 23;
- > Degree of protection is IP67;
- > Mechanical protection degree is IK8.

All of our products, are manufactured according to the international standard IEC60309-1, IEC60309-2, and they are also in compliance with the national standard GB/ T11918-2001 & GB/ T11919-2001. and our products have achieved CE approval, CB test approval and has owned S certification of SEMKO.