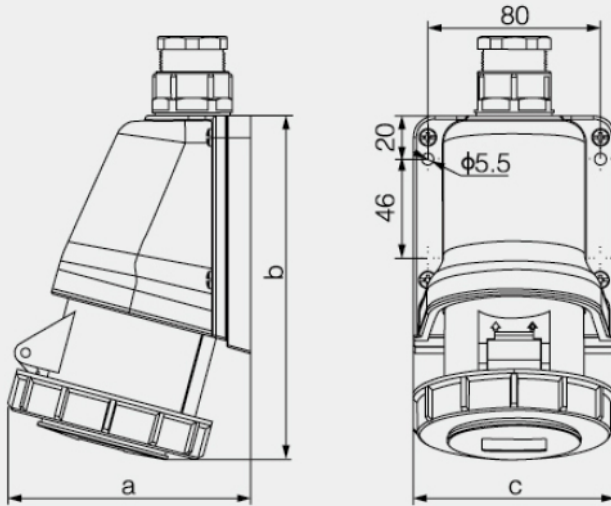


- ★ ★ Rated current: 32A
- ★ Rated voltage: AC 220-380V/240-415V~
- ★ No. of poles: 3P+N+E (5P)(5 Poles) (3P+N+T)(5 Pin)(Five Pins)
- ★ Protection degree: IP67
- ★ Housing material: Flame Retardant PA6 RoHS Reach
- ★ Contact: nickel-plated brass RoHS Reach
- ★ Standards: IEC60309-1, IEC60309-2



Name	Surface Mounted Sockets 32A 5P IP67 6H
Model	VP32516
Specification	1) Rated current: 32A
	2) Rated voltage: 220-380~ 240-415
	3) No. of poles: 3P+N +E (5P)
	4) Operation Temperature: -25°C~+40
Protection Class	IP67
Main Material	Housing material: PA6 RoHS; Contact: nickel-plated brass RoHS
Certificates	S, CB, CE, TUV, ISO9001:2008, RoHS, REACH
Color	RED
Package	Polybag + 10pcs/Inner Box + 40pcs/Export carton

Dimension



Current	16A			32A		
	3	4	5	3	4	5
a	101	104	107	114	114	116
b	150	150	151	162	162	163
c	93.5	93.5	93.5	93.5	93.5	93.5
Cable size(mm ²)	1.5~4			2.5~10		

- >Disassemble and assemble conveniently, safe and quickly;
- >Separable and sealed type design structure for the enclosure of sockets;
- >The protection degree are up to IP67;
- >Only need to dismantle the cover top of the enclosure when installing.

All of our products, are manufactured according to the international standard IEC60309-1, IEC60309-2, and they are also in compliance with the national standard GB/T11918-2001 & GB/T11919-2001. and our products have achieved CE approval, CB test approval and S certification of SEMKO.